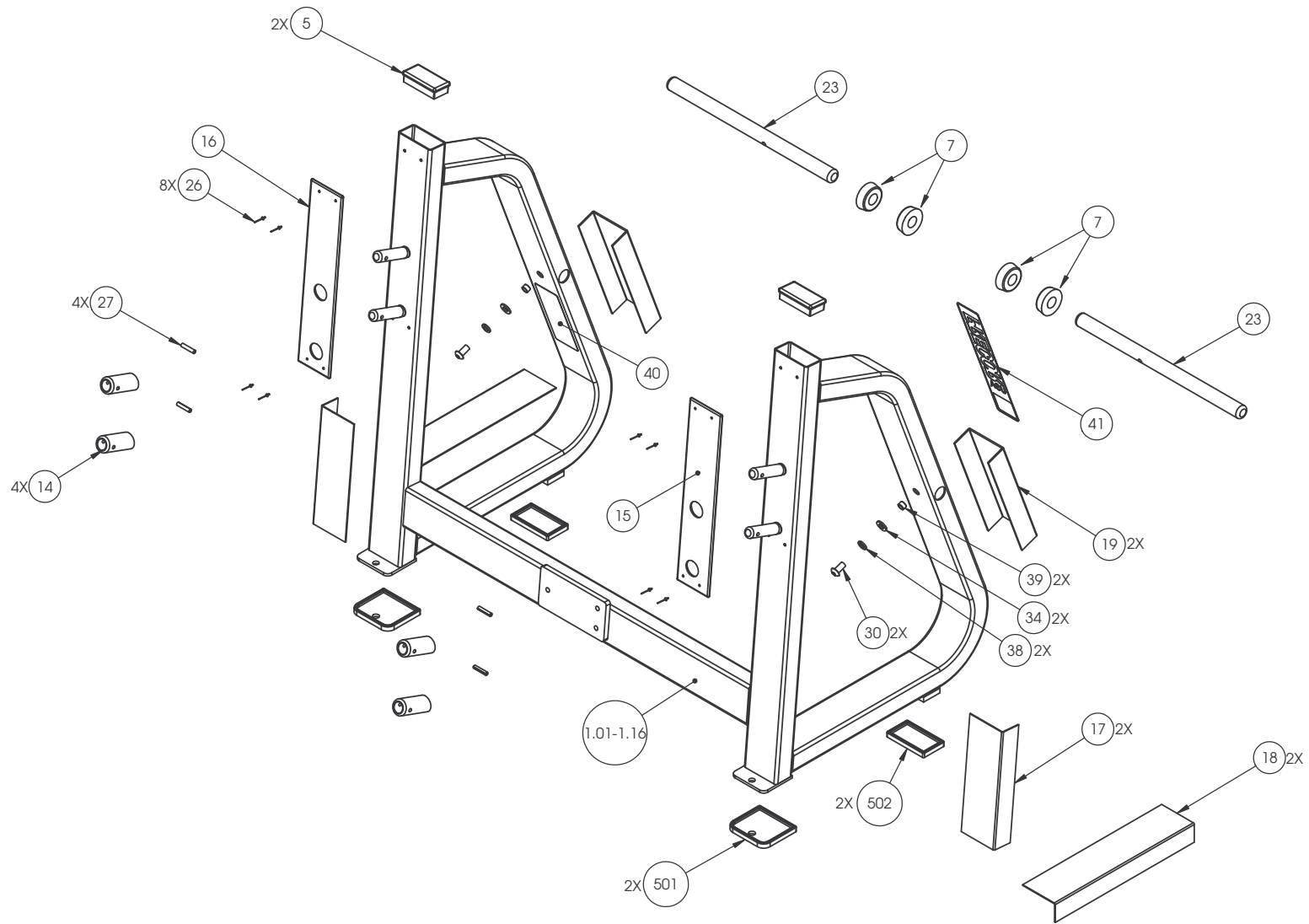
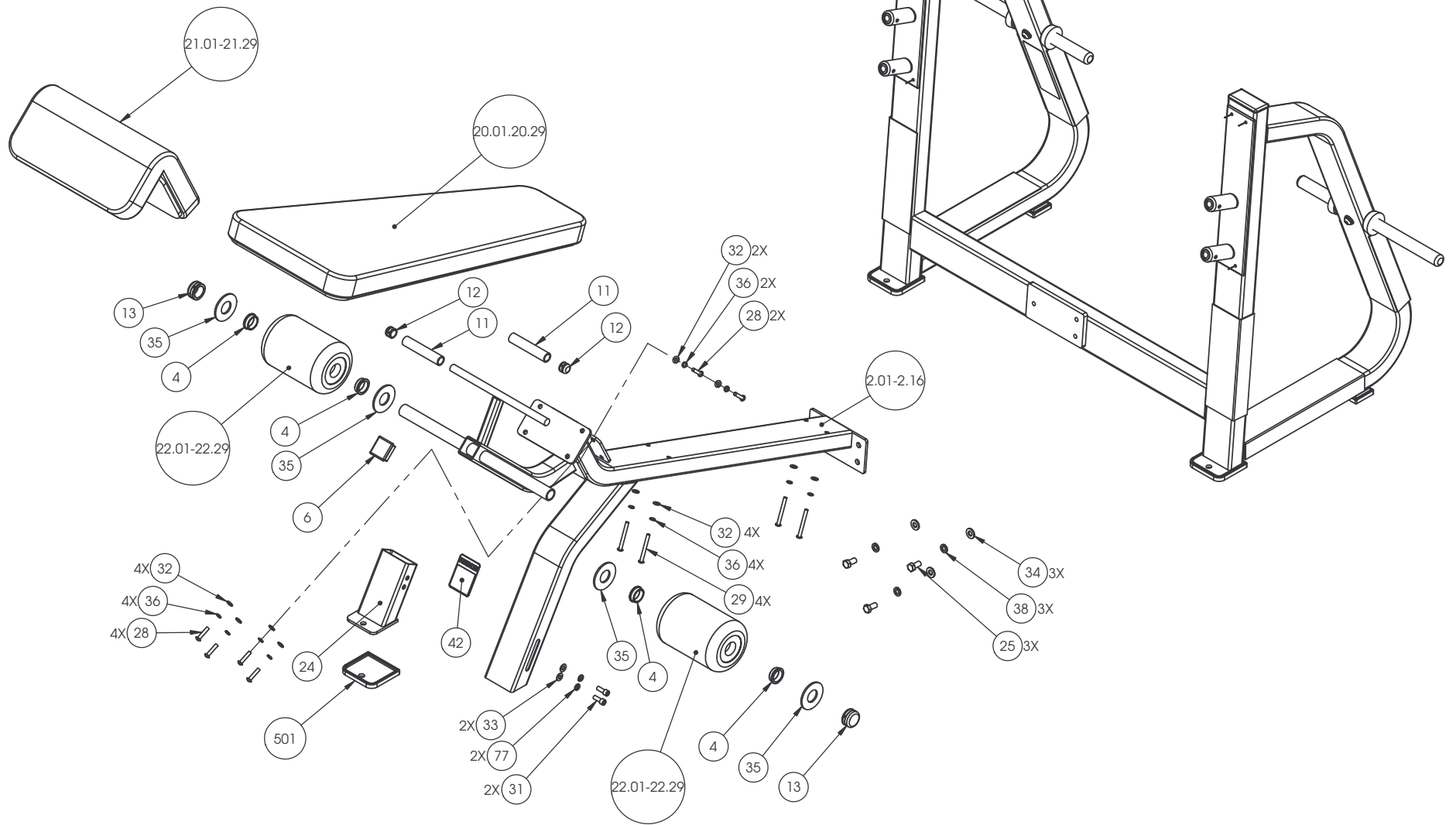


411	P/N : CW30940-101	SUBREV : C
DRAWN BY : CT	DATE : 02.10.06	SHEET 1 OF 3



411	P/N : CW30940-101	SUBREV : C
DRAWN BY : CT	DATE : 02.10.06	SHEET 2 OF 3



411	P/N : CW30940-101	SUBREV : C
DRAWN BY : CT	DATE : 02.10.06	SHEET 3 OF 3

411 Olympic Decline Bench

Part Number	Description	Bubble Number
CW411SA1-211	ASSY,FRAME,MAIN,411,SKY WHITE	1.01
CW411SA1-261	ASSY,FRAME,MAIN,411,BLUE	1.06
CW411SA1-311	ASSY,FRAME,MAIN,411,STONE HG	1.11
CW411SA1-321	ASSY,FRAME,MAIN,411,TITANIUM HG	1.12
CW411SA2-211	ASSY,411,SEAT FRAME,SKY WHITE	2.01
CW411SA2-311	ASSY,411,SEAT FRAME,STONE HG	2.11
CW411SA2-321	ASSY,411,SEAT FRAME,TITANIUM HG	2.12
CWAC1002-101	LABEL, "ICARIAN", 3 X 16 3/8	3
CW10043-135	BUSHING, BRONZE, 1 1/4" ID X 1 1/2"	4
CW11311-102	ENDCAP, REC TUBE, 2X4, BLK PLASTIC	5
CW11311-103	ENDCAP, REC TUBE, 2X2, BLK PLASTIC	6
CW34822-101	LABEL, "ASSEMBLED IN THE USA"	8
CWAC1183-101	LABEL, WARNING, SERIOUS INJURY	10
CWGR4805-000	GRIP, RUBBER, .75" OD HANDLE, 5.00"	11
CWAC220-901	HANDLE END CAP W/SET SCREWS, DIA 3/	12
CWAC221-901	SHAFT END CAP W/SET SCREWS, DIA 1 1	13
CWCP1012-101	CUT PIECE, UHMW, 1 1/2 OD X 1 ID X	14
CWCP1013-102	CUT PIECE, UHMW, 1/4 X 3 7/8 X 18	15
CWCP1013-101	CUT PIECE, UHMW, 1/4 X 3 7/8 X 18	16
CW33584-101	ASSY, ABS BLACK, ANGLED, 2 X 4 X 12	17
CW33585-101	ASSY, ABS BLACK, ANGLED, 2 X 4 X 17	18
CW33508-101	ASSY, CUT PIECE, ABS CHANNEL, 1/8 X	19
CWPD1208J-101	PAD,9X17X42,4HOLES,W/BP,BLACK,W/SLI	20.01
CWPD1505B-101	PAD,ANG,2P(6X17)(9X17)BLK	21.01
CWPD1401A-101	PAD,5.625ODX1.5IDX8.125,BLACK	22.01
CWPF1421-741	BAR,STEEL RND, DIA 1 1/4" X (20), 1	23
CWSA2033-731	ASSY, ADJ, LEVELING FOOT,30 DEGREE,	24
CWSA2033-732	ASSY, ADJ. LEVELING FOOT, 30 DEG, B	24
CWHCYN050-100	SCREW,HEX HEAD,BLK XYLAN,1/2-13 X 1	25
CW10175-108	RIVIT, DIA .187, .376-.500 GRIP RAN	26
CWLDNN031-150	SLOTTED PIN SPRING, DIA. 5/16 X 1 1	27
CWTAYN031-150	SCREW, BUTTON HEAD, BLK XYLAN, 5/16	28
CWTAYN031-300	SCREW, BUTTON HEAD, BLK XYLAN, 5/16	29
CWTAYN050-100	SCREW, BUTTON HEAD, BLK XYLAN, 1/2	30
CWCAYN038-100	SCREW, SOCKET HEAD, BLK XYLAN, 3/8	31
CWWBKN031-007	WASHER, FLAT, TYPE A, SAE, 5/16 ID	32
CWWBKN038-007	WASHER, FLAT, TYPE A, SAE, 3/8 ID	33
CWWBKN050-010	WASHER, FLAT, TYPE A, SAE, 1/2 ID X	34
CWWNKN138-016	WASHER, FLAT, 1 3/8 ID X 3 OD, 0.15	35
CWWALYN031-008	WASHER, SPLIT, 5/16 ID, BL	36
CWWALYN050-013	WASHER, SPLIT, 1/2 ID, BLK XYLAN	38
CWFA1123-901	SPACER, STEEL,5/8 OD X 1/2 ID X 3/8	39
CW31756-101	LABEL, PRECOR USA ICARIAN LINE	41
CW31759-101	LABEL, SMALL PRECOR USA ICARIAN LIN	42
CWWALYN038-009	WASHER, SPLIT, 3/8 ID, BLK XYLAN	77
CWAC1177-101	FLOOR PROTECTOR, RUBBER, 4.563 X 4.	501
CWAC1180-101	FLOOR PROTECTOR, RUBBER, 2.563 X 4.	502
CW32203-101	LITERATURE KIT, 411 OLYMPIC DECLINE	999